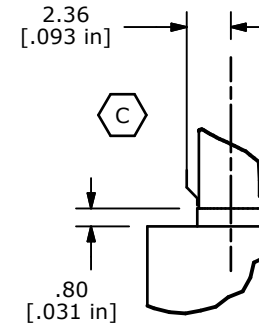
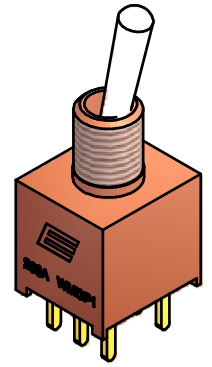


PANEL MOUNTING

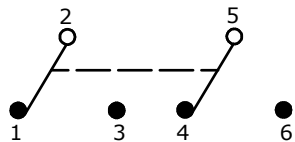


DETAIL A

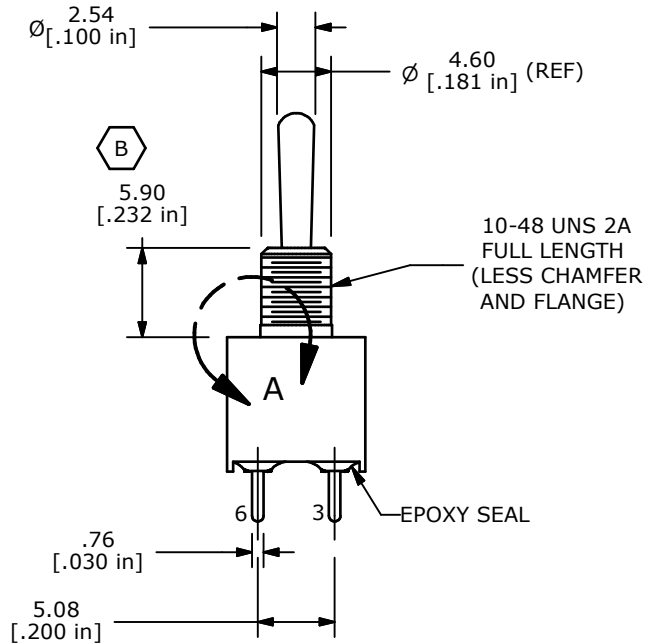
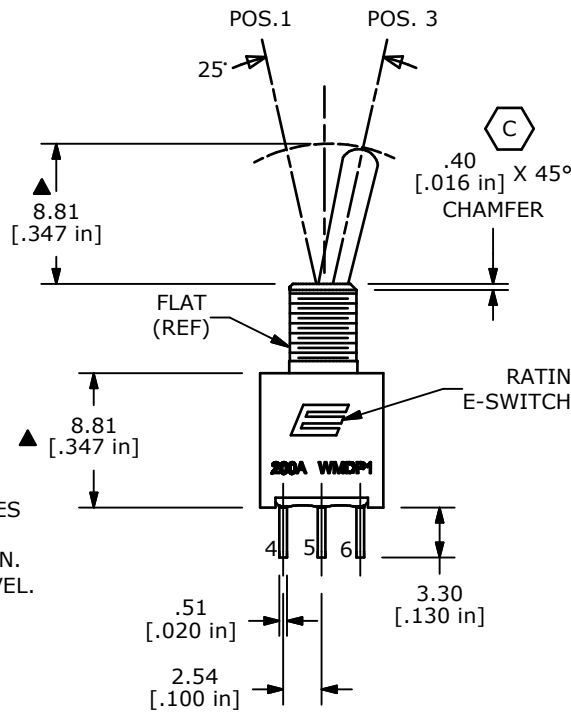
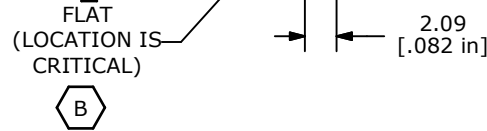


ISOMETRIC

SWITCH FUNCTION		
POS. 1	POS. 2	POS. 3
ON	NONE	ON
2-3, 5-6	OPEN	2-1, 5-4



CIRCUIT: DPDT



- NOTE:
1. ALL DIMENSIONS IN MM [INCH]
  2. GENERAL TOLERANCE: X.X=±0.4  
X.XX=±0.25
  3. TERMINAL NUMBERS FOR REF ONLY
  - ▲ 4. PLATING MATERIAL: GOLD
  5. RATING: 0.4VA @ 20VAC OR VDC MAX.
  6. ELECTRIC LIFE: 50,000 MAKE-AND-BREAK CYCLES AT FULL LOAD.
  7. INSULATION RESISTANCE: 1,000 MEGA-OHM MIN.
  8. DIELECTRIC STRENGTH: 1,000 V RMS @SEA LEVEL.
  9. OPERATING TEMP.: -30°C to 85°C
  10. ▲ DENOTES CRITICAL PARAMETER.
  11. 2002/95/EC (ROHS) COMPLIANT
  - ▲ 12. SEAL RATED: IP 67

C	18347	ADD FLANGE, CHAMFER TO BUSHING	12/11/08	BLR
B	18181	ACTUATOR / BUSHING HEIGHTS FINALIZED	7/18/08	BLR
A	18169	RELEASED FOR PRODUCTION	7/10/08	BLR
REV	PCR NO	DESCRIPTION	DATE	BY



TITLE 200AWMDP1T1A4M2RE SPECIAL

SCALE	DATE	DR	DWG	REV
2:1	12/11/2008	BLR	T201117	C